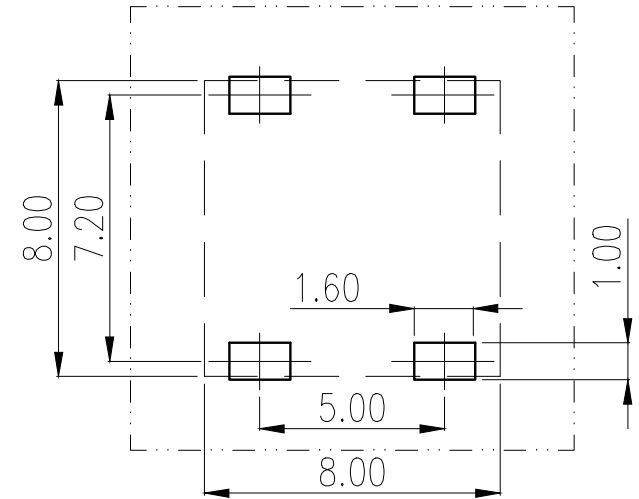
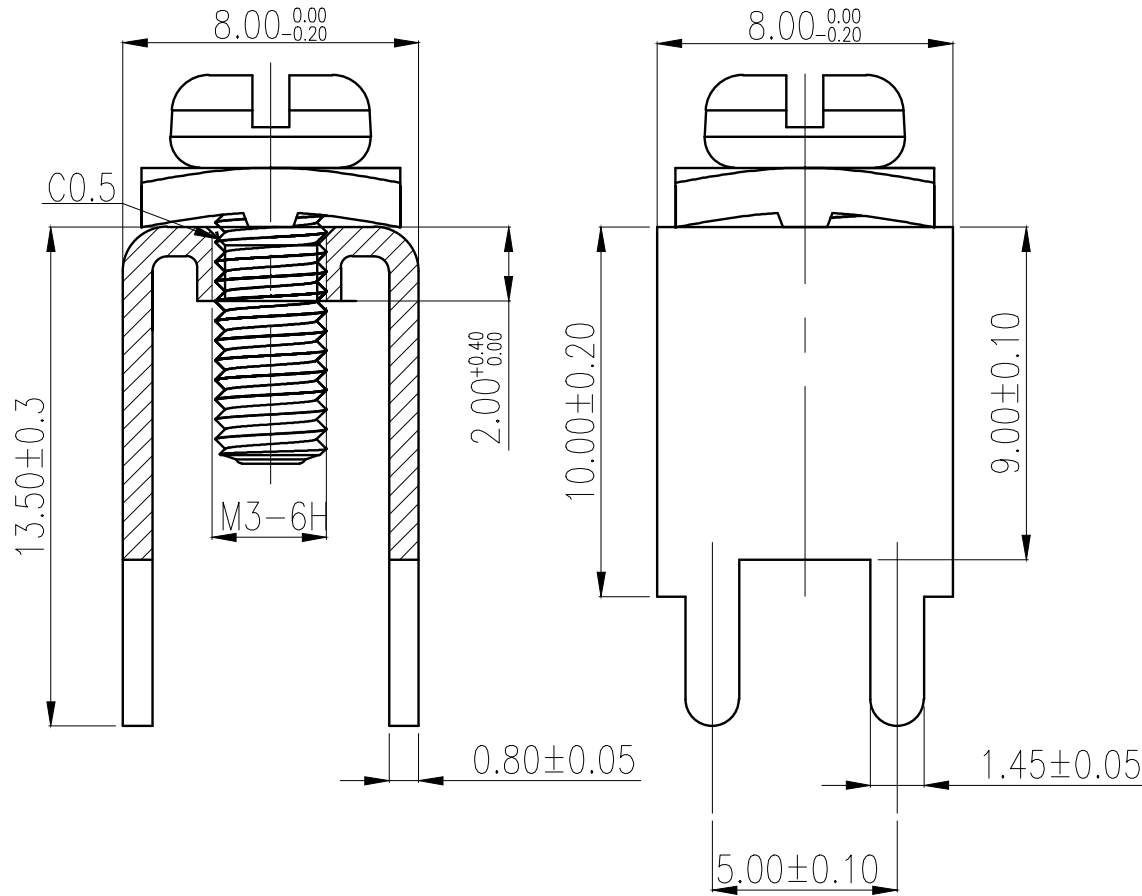



REVISION RECORD			
REV.	CONTENT	MOD.	DATE
△	初版发行		

技术要求:

1. 材质: 黄铜, 厚度0.8mm.
2. 打铜底2um, 镀镍2um, 镀锡4um.
3. 螺牙扭力矩达到0.8N.m以上, 符合M3-6H的螺纹规检测, 螺牙不能有乱牙、豁牙、滑牙现象.
4. 不得有变形, 毛刺等缺陷.
5. 适用线规格: 24-10AWG
6. 额定电流: 40A



	pitch dimension			Nominal dimension					— /
	over 0 to 6	over 6 to 10	over 10 to 24	over 0 to 30	over 30 to 60	over 60 to 100	over 100 to 150	0.05/10	
variable range	0 to 6	6 to 10	10 to 24	0 to 30	30 to 60	60 to 100	100 to 150	0.05/10	
Tolerance	±0.1	±0.15	±0.25	±0.2	±0.3	±0.5	±0.7	±1.0	

2	3*8-7*7	3*8-7*7N		碳钢	镀镍
1	E5.0*8.0*13.5/4+M3			黄铜	镀雾锡
NO.	NAME OF PART	NO. OF PART	Q'TY	MATERIAL	NOTES
DES.	ZJL	DATE 2021/09/17	UNITS mm	THIRD ANGLE PROJECTION	
CHK.		DATE	SIZE A4	SHEET 1 of 1	
APP.		DATE	SCALE 1:1	DWG NO. SP-2-7002001	REV: T0
 上海有乐电气有限公司 Shanghai YouLe Electric CO.,LTD				TITLE	E5.0*8.0*13.5/4+M3/8*7 E5.0*8.0*13.5/4+M3/8*7产品